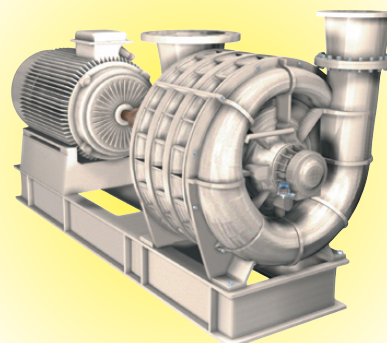


TECHNICAL DATA SHEET

TECHNICAL DATA

Number of stage : 1 thru 9 (cast)
Inlet connection : 6" (152 mm) flange, DN 150 PN 10
Outlet connection : 6" (152 mm) flange, DN 150 PN 10
Operating speed : 3600 rpm in direct drive (60Hz), 4400 with V-belt
Lubrication : Grease lubricated
Impeller diameter : 24" (611 mm)
Impeller tip speed : 374 f/s (114 m/s)
First critical speed : 3747 rpm (9-stage)
Drive : Direct drive or V-belts
Vibration tolerance : 1.25 mils peak-to-peak (4,5 mm /s)
Shaft end : 1" 3/4 (45 mm), inlet end drive standard.

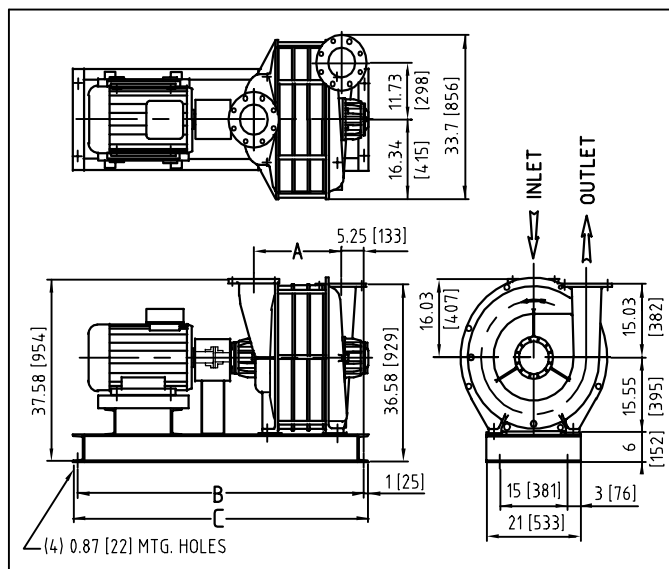
"31" SERIES



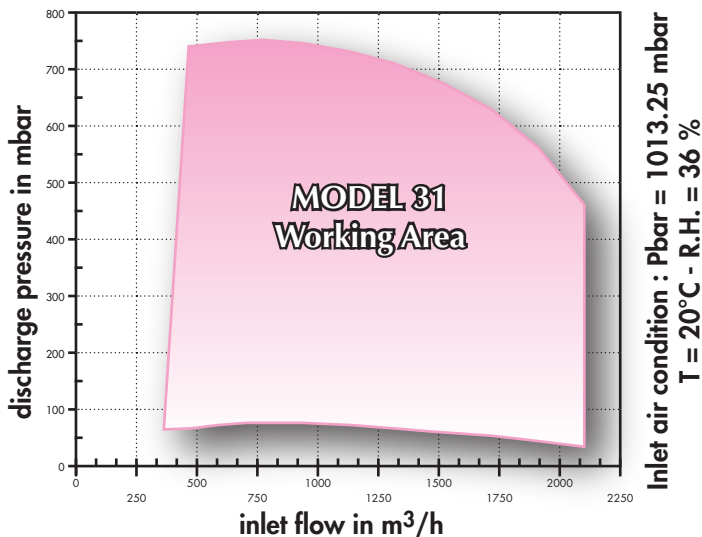
AIR & GAS

MATERIALS OF CONSTRUCTION

Head, Bearing housings : Cast iron FGL 250
Sections : Cast aluminium Al Si 7 Mg (cast iron optional)
Tie rods : 3/4" (19 mm) diameter cold drawn steel A60
Joint sealing compound : RTV IS502 Silicone
Seals(air) : Two graphit rings each end
Seals(gas) : Double carbon rings each end with inert gas injection
Bearings : Ball bearings 6410 C3 per AFBMA B10 STANDARD
Shaft : Carbon steel C35 (stainless steel available)
Impellers : Cast aluminium Al Si 10 Mg
Motor pedestal : Structural steel
Base frame installation : Antivibrations pads
Noise level : In compliance with OSHA standards when machine is fully, piped (certified tests available).



BLOWER SIZE	"A"	"B"	"C"	WEIGHT	
				LBS	KGS
31.01	9.21 (234)	52 (1321)	54 (1372)	915	415
31.02	12.64 (321)	52 (1321)	54 (1372)	1003	455
31.03	16.06 (408)	64 (1626)	66 (1676)	1124	510
31.04	19.49 (495)	64 (1626)	66 (1676)	1212	550
31.05	22.91 (582)	70 (1778)	72 (1829)	1312	595
31.06	26.34 (669)	70 (1778)	72 (1829)	1400	635
31.07	29.76 (756)	82 (2083)	84 (2134)	1520	690
31.08	33.19 (843)	82 (2083)	84 (2134)	1609	730
31.09	36.61 (930)	94 (2388)	96 (2438)	1730	785



DIMENSIONS ARE IN INCHES AND (MM)
 ACTUAL DIMENSIONS MAY VARY SLIGHTLY TO SUIT APPLICATION

