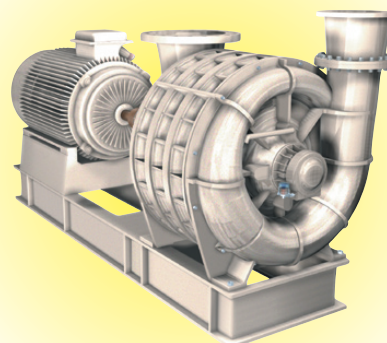


# TECHNICAL DATA SHEET

## TECHNICAL DATA

**Number of stage :** 1 thru 7  
**Inlet connection :** 20" (508 mm) flange, PN 10 DN 500  
**Outlet connection :** 18" (457 mm) flange, PN 10 DN 450  
**Operating speed :** 3570 rpm in direct drive (60Hz)  
**Lubrication :** Oil type with constant level  
**Impeller diameter :** 31" 3/4 (806 mm)  
**Impeller tip speed :** 494 fps (151 m/s)  
**First critical speed :** 4392 rpm (7 stages)  
**Drive :** Direct drive or gear box  
**Vibration tolerance :** 1.25 mils peak-to-peak (4,5 mm /s)  
**Balance piston :** from 3 to 7 stages  
**Shaft end :** 2" 3/4 (70 mm) , inlet end drive standard

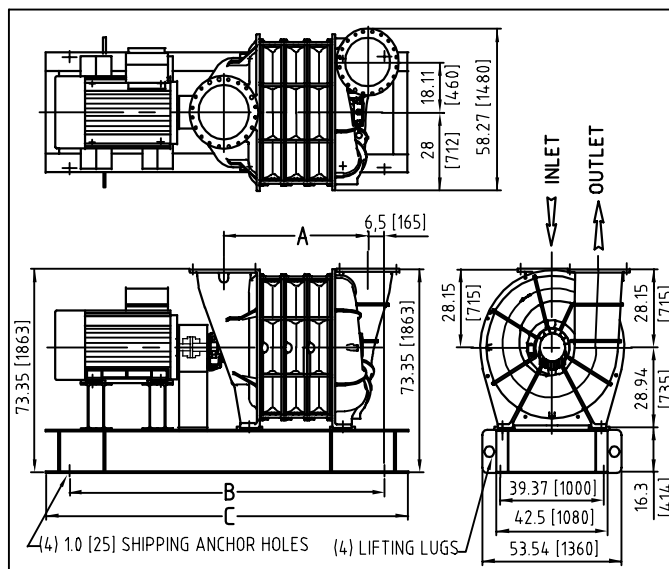
## "500" SERIES



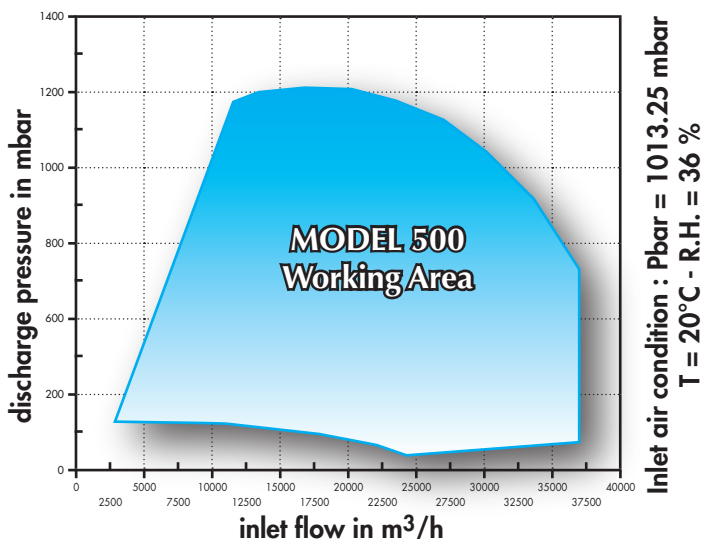
## AIR & GAS

## MATERIALS OF CONSTRUCTION

**Head, Sections, Bearing housings :** Cast iron FGL 250  
**Tie rods :** 15/16" (24 mm) diameter cold drawn steel A60  
**Joint sealing compound :** RTV IS502 Silicone  
**Seals (air) :** Graphit rings each end  
**Seals (gas) :** Four carbon rings each end with inert gas injection  
**Bearings :** Ball bearings 6316 C3 PER AFBMA B10 STANDARD  
**Shaft :** Carbon steel C35 (stainless steel available)  
**Impellers :** Cast aluminium Al Si 10 Mg  
**Baffle rings :** Stainless steel  
**Motor pedestal :** UPN roll carbon steel  
**Base frame installation :** Anchor bolts or antivibrations pads  
**Noise level :** In compliance with OSHA standards when machine is fully, piped (certified tests available)



| BLOWER SIZE | "A"          | "B"        | "C"        | WEIGHT |      | ROTOR WK <sup>2</sup> (lb.ft <sup>2</sup> ) |
|-------------|--------------|------------|------------|--------|------|---|
|             |              |            |            | LBS    | KGS  |   |
| 500.01      | 29.13 (740)  | 118 (2997) | 126 (3200) | 6170   | 2800 | 54.79                                       |
| 500.02      | 38.19 (970)  | 120 (3048) | 138 (3505) | 7600   | 3450 | 109.59                                      |
| 500.03      | 47.24 (1200) | 142 (3607) | 160 (4064) | 9250   | 4200 | 164.62                                      |
| 500.04      | 56.30 (1430) | 142 (3607) | 160 (4064) | 10580  | 4800 | 219.65                                      |
| 500.05      | 65.35 (1660) | 172 (4369) | 185 (4700) | 13220  | 6000 | 274.20                                      |
| 500.06      | 74.41 (1890) | 172 (4369) | 185 (4700) | 14550  | 6600 | 329.00                                      |
| 500.07      | 83.46 (2120) | 200 (5080) | 212 (5385) | 16750  | 7600 | 384.03                                      |



DIMENSIONS ARE IN INCHES AND (MM)  
 ACTUAL DIMENSIONS MAY VARY SLIGHTLY TO SUIT APPLICATION

