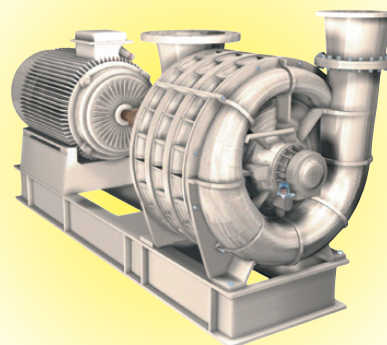


TECHNICAL DATA SHEET

TECHNICAL DATA

Number of stage : 1 thru 9 (cast)
Inlet connection : 6" (152 mm) flange, DN 150 PN 10
Outlet connection : 6" (152 mm) flange, DN 150 PN 10
Operating speed : 3600 rpm in direct drive (60Hz), 4400 with V-belt
Lubrication : Grease lubricated
Impeller diameter : 24" (611 mm)
Impeller tip speed : 374 f/s (114 m/s)
First critical speed : 4706 rpm (9-stage)
Drive : Direct drive or gear box or V-belts
Vibration tolerance : 1.25 mils peak-to-peak (4,5 mm /s)
Shaft end : 1" 3/4 (45 mm), inlet end drive standard.

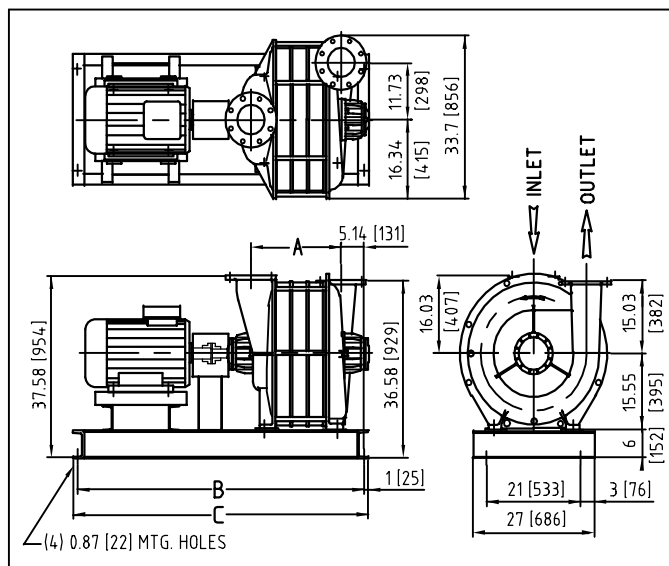
"51" SERIES



AIR & GAS

MATERIALS OF CONSTRUCTION

Head, Bearing housings : Cast iron FGL 250
Sections : Cast aluminium Al Si 7 Mg (cast iron optional)
Tie rods : 13/16" (20 mm) diameter cold drawn steel A60
Joint sealing compound : RTV IS502 Silicone
Seals (air) : Two graphit rings each end
Seals (gas) : Four carbon rings each end with inert gas injection
Bearings : Ball bearings 6410 C3 per AFBMA B10 STANDARD
Shaft : Carbon steel C35 (stainless steel available)
Impellers : Cast aluminium Al Si 10 Mg
Baffle rings : Stainless steel
Motor pedestal : Structural steel.
Base frame installation : Antivibrations pads
Noise level : In compliance with OSHA standards when machine is fully, piped (certified tests available).



BLOWER SIZE	"A"	"B"	"C"	WEIGHT	
				LBS	KGS
51.01	9.21 (234)	46 (1168)	48 (1219)	937	425
51.02	12.83 (326)	52 (1321)	54 (1372)	1047	475
51.03	16.46 (418)	64 (1626)	66 (1676)	1168	530
51.04	20.08 (510)	64 (1626)	66 (1676)	1256	570
51.05	23.71 (602)	70 (1778)	72 (1829)	1366	620
51.06	27.33 (694)	82 (2083)	84 (2134)	1488	675
51.07	30.96 (786)	82 (2083)	84 (2134)	1576	715
51.08	34.57 (878)	94 (2388)	96 (2438)	1697	770
51.09	38.19 (970)	94 (2388)	96 (2438)	1785	810

DIMENSIONS ARE IN INCHES AND (MM)
 ACTUAL DIMENSIONS MAY VARY SLIGHTLY TO SUIT APPLICATION

